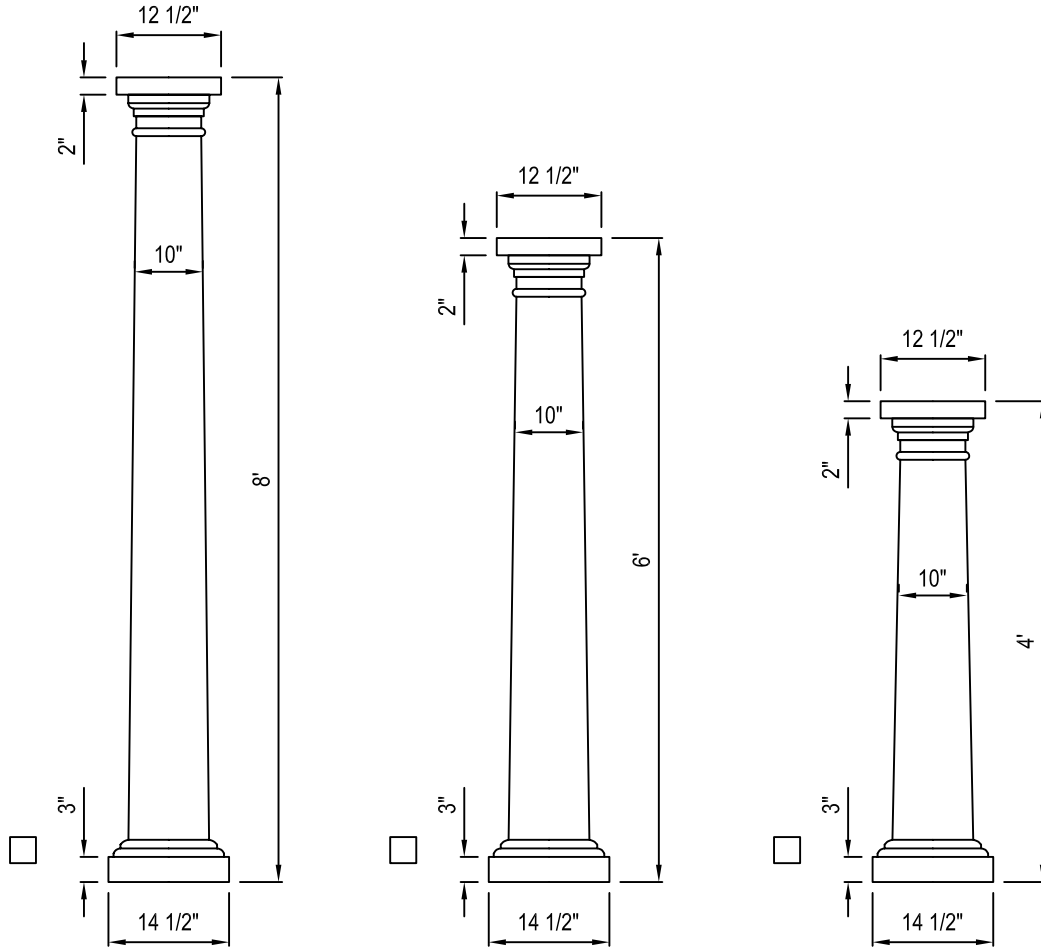


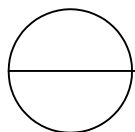
THE CHANDLER COMPANY
 2621 SOUTH BIRCH STREET
 SANTA ANA, CA, USA, 92707
 PHONE: (714) 979-4212
 FAX: (714) 979-4854
 www.thechandlercompany.com

SELECT DESIRED COLUMN



NOTES:

1. INSTALLATION TO BE COMPLETED IN ACCORDANCE WITH MANUFACTURER'S SPECIFICATIONS.
2. DO NOT SCALE DRAWINGS.
3. CC-10 IS DESIGNED FOR INSTALLATION AROUND A 4"x4" SUPPORT.
4. DECORATIVE COLUMNS ARE NOT DESIGNED FOR SUPPORT OF ANY KIND.
5. CONTRACTORS NOTE: FOR PRODUCT AND COMPANY INFORMATION VISIT www.CADdetails.com/info
 REFERENCE NUMBER 600-014a.



DECORATIVE COLUMNS: CC10 CHANDLER 10"