

THE CHANDLER COMPANY  
 2621 SOUTH BIRCH STREET  
 SANTA ANA, CA, USA, 92707  
 PHONE: (714) 979-4212  
 FAX: (714) 979-4854  
 www.thechandlercompany.com

SELECT DESIRED COLOR

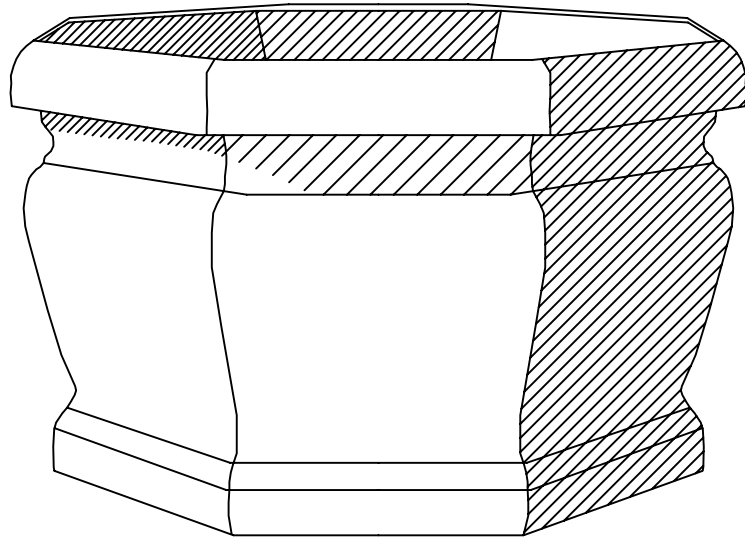
LIGHT SAND TEXTURE

- 90-WHITE
- 100-BUFF
- 101-LATTE
- 201-TAN
- 208-TERRACOTTA
- 215-ADOBE
- 232-BURGUNDY
- 320-KHAKI
- 322-CYPRESS
- 325-PARCHMENT
- 453-DARK GRAY
- 806-SAND BEIGE
- 970-DOVE
- 972-PEARL
- 981-MOCHA

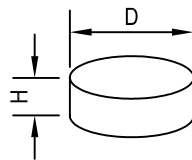
OR

SMOOTH

- 5604-BLACK
- 5606-WHITE
- 5806-SAND BEIGE
- 6414-DARK GRAY
- 8208-TERRACOTTA
- 8215-ADOBE
- 8224-LATTE
- 8232-BURGUNDY
- 8320-KHAKI
- 8322-CYPRESS
- 8325-PARCHMENT
- 9970-DOVE
- 9972-PEARL
- 9981-MOCHA
- 9983-BUFF
- 9985-TAN



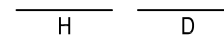
ISOMETRIC VIEW



AVAILABLE SIZES

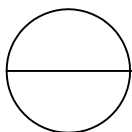
HEIGHT(H)	STANDARD DIAMETER(D)
24"	30"
30"	36"
36"	42"
42"	54"

USE CHART TO SPECIFY



**NOTES:**

1. INSTALLATION TO BE COMPLETED IN ACCORDANCE WITH MANUFACTURER'S SPECIFICATIONS.
2. DO NOT SCALE DRAWINGS.
3. CONTACT MANUFACTURER FOR CUSTOM SIZES.
4. CONTRACTORS NOTE: FOR PRODUCT AND COMPANY INFORMATION VISIT [www.CADdetails.com/info](http://www.CADdetails.com/info) REFERENCE NUMBER 600-006.



**DECORATIVE PLANTERS: FENWAY PARK**