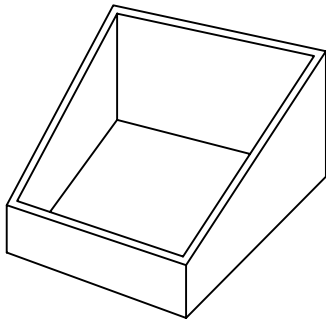
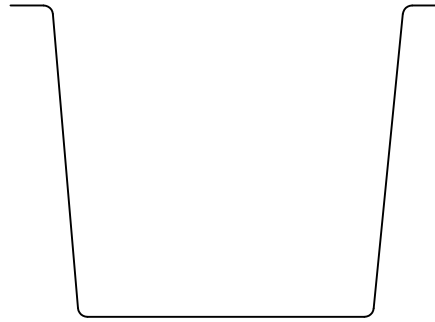


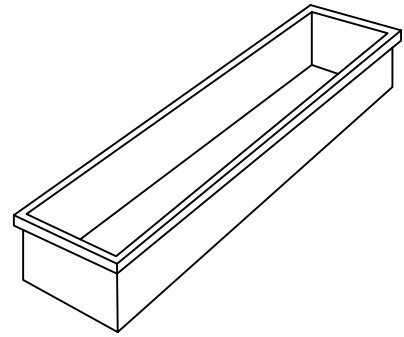
THE CHANDLER COMPANY  
 2621 SOUTH BIRCH STREET  
 SANTA ANA, CA, USA, 92707  
 PHONE: (714) 979-4212  
 FAX: (714) 979-4854  
 www.thechandlercompany.com



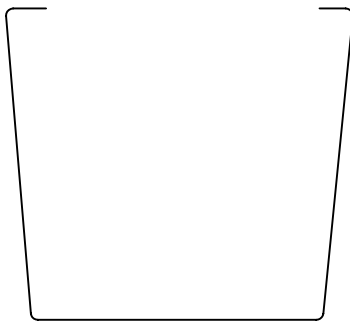
WEDGE LINER



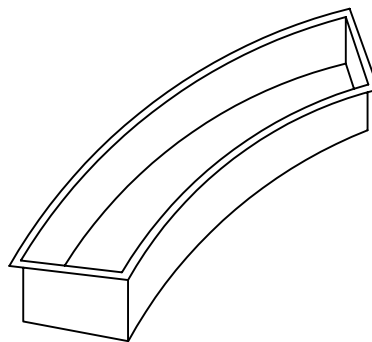
OUTSIDE LIP LINER



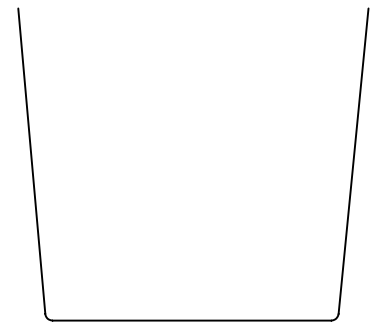
PARKING STRUCTURE



IN TURNING LIP



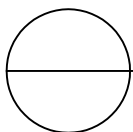
RADIUS LINER



NO LIP LINER

NOTES:

1. INSTALLATION TO BE COMPLETED IN ACCORDANCE WITH MANUFACTURER'S SPECIFICATIONS.
2. DO NOT SCALE DRAWINGS.
3. CONTACT MANUFACTURER FOR CUSTOM SIZES.
4. CONTRACTORS NOTE: FOR PRODUCT AND COMPANY INFORMATION VISIT [www.CADdetails.com/info](http://www.CADdetails.com/info) REFERENCE NUMBER 600-021.



WATERPROOF PLANTER LINERS