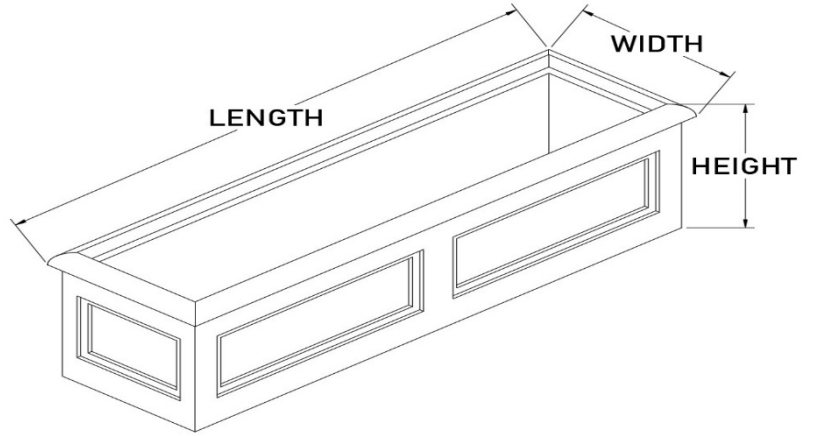


WINSLOW II *Rectangular Planter*



Product Code	Length	Width	Height	Weight (lbs.)
WN661818	66	18	18	40.60

Can't find a size? Contact Us!

The Chandler Company

2621 S. Birch St.

Santa Ana, CA 92707

(714) 979-4212

info@thechandlercompany.com

www.thechandlercompany.com