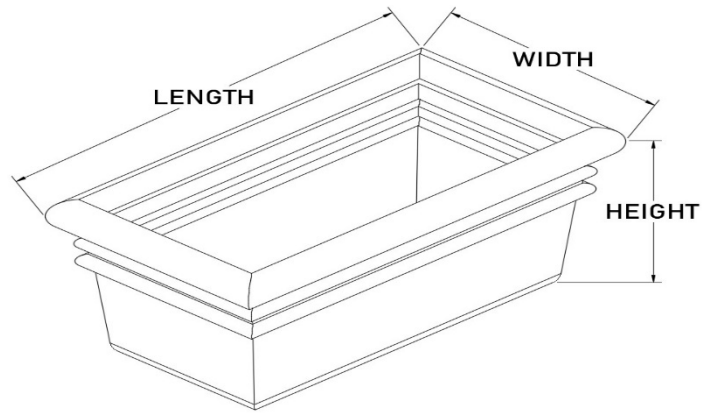
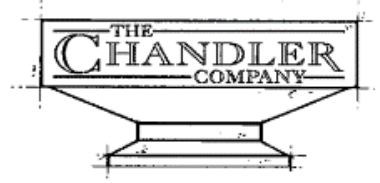


# SANTA FE *Rectangular Planter*



Product Code	Length	Width	Height	Weight (lbs.)
SA361812	36	18	12	19.32
SA481812	48	18	12	22.7
SA481818	48	18	18	29.03
SA481830	48	18	30	33.29
SA482418	48	24	18	33.29
SA482424	48	24	24	41.91
SA543024	54	30	24	51.02
SA543030	54	30	30	71.99
SA601812	60	18	12	27.27
SA601818	60	18	18	34.74
SA602418	60	24	18	39.57
SA602424	60	24	24	49.62
SA603024	60	30	24	55.15
SA603030	60	30	30	77.71
SA603630	60	36	30	85.06
SA721812	72	18	12	31.85
SA721818	72	18	18	40.47
SA721830	72	18	30	76.23
SA722418	72	24	18	45.84
SA722424	72	24	24	57.31

# SANTA FE *Rectangular Planter*



Product Code	Length	Width	Height	Weight (lbs.)
SA723024	72	30	24	63.4
SA723030	72	30	30	89.11
SA723630	72	36	30	97.13
SA723636	72	36	36	120.44
SA843024	84	30	24	71.67
SA843030	84	30	30	100.53
SA843630	84	36	30	109.2
SA843636	84	36	36	135.2
SA963636	96	36	36	149.96

*Can't find a size? Contact Us!*

The Chandler Company  
2621 S. Birch St.  
Santa Ana, CA 92707  
(714) 979-4212

[info@thechandlercompany.com](mailto:info@thechandlercompany.com)  
[www.thechandlercompany.com](http://www.thechandlercompany.com)