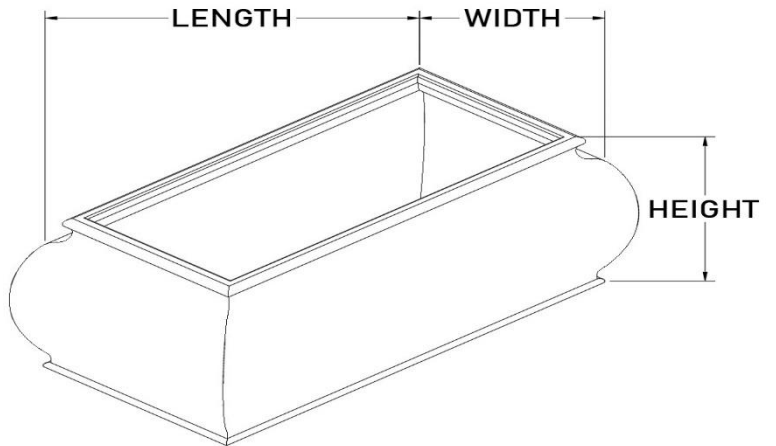


# ATHENS *Rectangular Planter*



Product Code	Length	Width	Height	Weight (approx.)
AT481818	48	18	18	29.09
AT601818	60	18	18	34.82
AT721818	72	18	18	40.57
AT482418	48	24	18	33.35
AT602418	60	24	18	39.65
AT722418	72	24	18	?
AT482424	48	24	24	41.36
AT602424	60	24	24	48.99
AT722424	72	24	24	56.62
AT722824	72	28	24	60.66
AT543024	54	30	24	50.39
AT603024	60	30	24	54.49
AT723024	72	30	24	64.4
AT843024	84	30	24	70.86
AT543030	54	30	30	71.56
AT603030	60	30	30	77.25
AT723030	72	30	30	88.64
AT843030	84	30	30	100.02
AT603630	60	36	30	84.6
AT723630	72	36	30	96.64



# ATHENS *Rectangular Planter*

Product Code	Length	Width	Height	Weight (approx.)
AT843630	84	36	30	108.69
AT723636	72	36	36	120.04
AT843636	84	36	36	134.8
AT963636	96	36	36	

*Can't find a size? Contact Us!*

The Chandler Company  
2621 S. Birch St.  
Santa Ana, CA 92707  
(714) 979-4212

[info@thechandlercompany.com](mailto:info@thechandlercompany.com)  
[www.thechandlercompany.com](http://www.thechandlercompany.com)