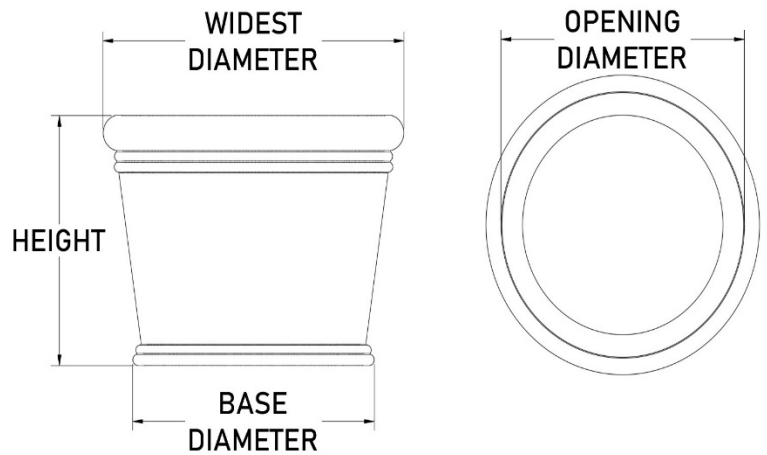


MESA *Round Planter*



Product Code	Widest Diameter	Opening Diameter	Height	Base Diameter	Weight (lbs.)
MER2418	24	19	18	20	16.58
MER2424	24	16	24	17.5	20.64
MER3018	30	25	18	26	21.77
MER3024	30	23	24	24	26.84
MER3030	30	22	30	22	37.83
MER3618	36	31	18	32	27.42
MER3624	36	29	24	29	33.47
MER3630	36	27	30	29	46.86
MER3636	36	25	36	27	59.6
MER4224	42	36	24	37	40.54
MER4230	42	34	30	35	56.43
MER4236	42	32	36	34	71.38
MER4242	42	29	42	31	81.2
MER4818	48	43	18	44	40.03
MER4824	48	42	24	43	48.05
MER4830	48	39	30	40	66.46
MER4836	48	36	36	34	83.72
MER4842	48	38	42	39	94.91
MER6030	60	52	30	52.25	88.15
MER6036	60	49	36	50	110.12

MESA *Round Planter*



Product Code	Widest Diameter	Opening Diameter	Height	Base Diameter	Weight (lbs.)
MER6042	60	50	42	51	124.03
MER7236	72	63	36	64	138.76
MER7242	72	59	42	56	155.42

Can't find a size? Contact Us!

The Chandler Company
2621 S. Birch St.
Santa Ana, CA 92707
(714) 979-4212
info@thechandlercompany.com
www.thechandlercompany.com