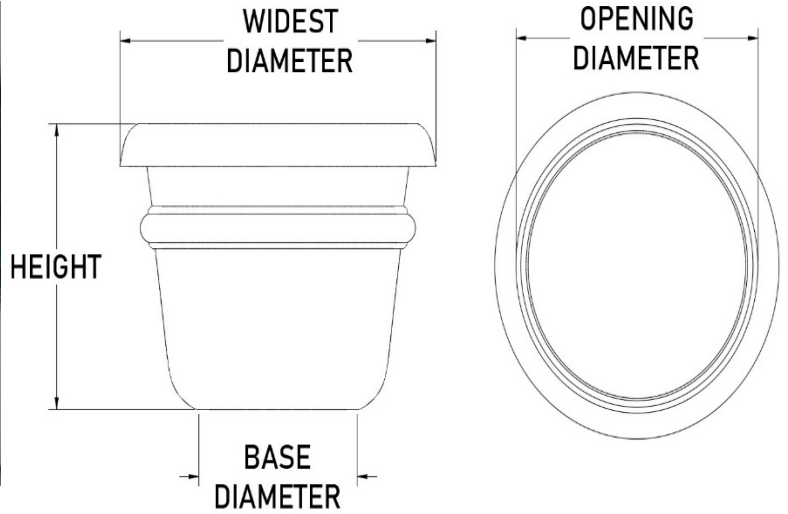


MONTEREY *Round Planter*



Product Code	Widest Diameter	Opening Diameter	Height	Base Diameter	Weight (lbs.)
MNR2418	24	17	18	17	16.23
MNR2424	24	15	24	14	20.32
MNR3018	30	25	18	24	21.28
MNR3024	30	21	24	21	26.33
MNR3030	30	18	30	18	37.94
MNR3618	36	29	18	29	26.78
MNR3624	36	22	24	21	32.78
MNR3630	36	24	30	23	46.83
MNR3636	36	22	36	21	59.69
MNR4224	42	33	24	33	39.67
MNR4230	42	31	30	31	56.25
MNR4236	42	28	36	27	71.28
MNR4242	42	27	42	27	80.4
MNR4818	48	41	18	41	39.1
MNR4824	48	39	24	39	47.01
MNR4830	48	36	30	35	66.18
MNR4836	48	34	36	32	83.45
MNR4842	48	33	42	33	93.77
MNR6030	60	49	30	49	87.61
MNR6036	60	46	36	47	109.45

MONTEREY *Round Planter*



Product Code	Widest Diameter	Opening Diameter	Height	Base Diameter	Weight (lbs.)
MNR6042	60	45	42	45	122.24
MNR7236	72	59	36	59	137.72
MNR7242	72	57	42	57	152.97

Can't find a size? Contact Us!

The Chandler Company

2621 S. Birch St.

Santa Ana, CA 92707

(714) 979-4212

info@thechandlercompany.com

www.thechandlercompany.com