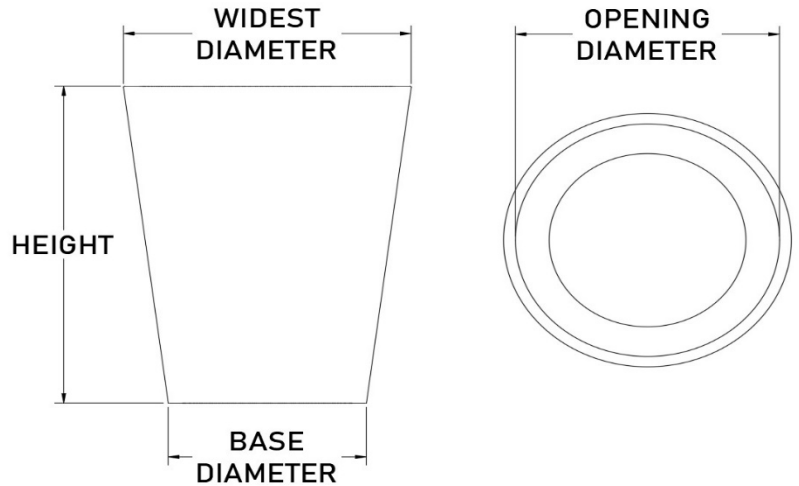


# TAPERED *Round Planter*



Product Code	Widest Diameter	Opening Diameter	Height	Base Diameter	Weight (lbs.)
TAR1824	18	15	24	12	12.06
TAR1830	18	15	30	12	9.24
TAR1836	18	15	36	12	20.28
TAR1842	18	15	42	12	22.67
TAR2424	24	21	24	16	15.5
TAR2430	24	21	30	16	21.25
TAR2436	24	21	36	16	25.33
TAR2442	24	21	42	16	41.6
TAR3018	30	27	18	20	16.51
TAR3030	30	27	30	20	26.27
TAR3036	30	27	36	20	32.17
TAR3042	30	27	42	20	34.17
TAR3618	36	33	18	24	18.54
TAR3630	36	33	30	24	32.22
TAR3636	36	33	36	24	43.96
TAR3642	36	33	42	24	46.45
TAR3648	36	33	48	24	52.11
TAR4230	42	39	30	28	38.39
TAR4248	42	39	48	28	61.68
TAR4818	48	45	18	32	26.29

# TAPERED *Round Planter*



Product Code	Widest Diameter	Opening Diameter	Height	Base Diameter	Weight (lbs.)
TAR4824	48	45	24	32	40.75
TAR4830	48	45	30	32	53.12
TAR4836	48	45	36	32	63.88
TAR4848	48	45	48	32	78.21
TAR4860	48	45	60	32	122.3

*Can't find a size? Contact Us!*

The Chandler Company  
2621 S. Birch St.  
Santa Ana, CA 92707  
(714) 979-4212  
[info@thechandlercompany.com](mailto:info@thechandlercompany.com)  
[www.thechandlercompany.com](http://www.thechandlercompany.com)