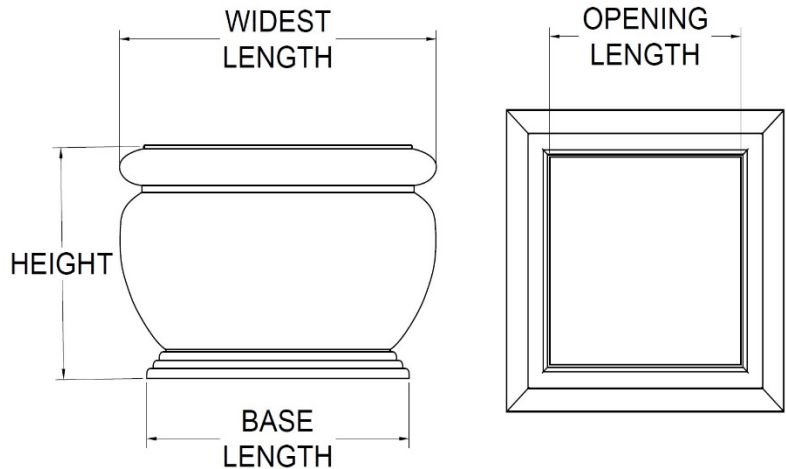


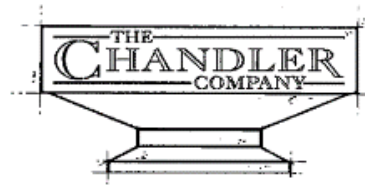


# ENCINITAS *Square Planter*



Product Code	Widest Length	Opening Length	Height	Base Length	Weight (lbs.)
ENS2418	24	17	18	20	24.02
ENS2424	24	15	24	18	30.13
ENS3018	30	23	18	23	31.43
ENS3024	30	21	24	24	39.03
ENS3030	30	19	30	19	55.15
ENS3618	36	29	18	29	39.38
ENS3624	36	27	24	30	48.51
ENS3630	36	25	30	28.5	68.13
ENS3636	36	23	36	26.5	86.8
ENS4224	42	33	24	33	58.54
ENS4230	42	32	30	34	81.76
ENS4236	42	29	36	29	103.75
ENS4242	42	34	42	29	117.49
ENS4818	48	29	18	27	56.97
ENS4824	48	39	24	42	69.14
ENS4830	48	37	30	37	96.07
ENS4836	48	35	36	35	121.42
ENS4842	48	33	42	37	137.1
ENS6030	60	49	30	49	126.64
ENS6036	60	47	36	47	158.93

# ENCINITAS *Square Planter*



---

Product Code	Widest Length	Opening Length	Height	Base Length	Weight (lbs.)
ENS6042	60	45	42	45	178.5
ENS7236	72	59	36	59	199.31
ENS7242	72	57	42	61	222.78

*Can't find a size? Contact Us!*

The Chandler Company

2621 S. Birch St.

Santa Ana, CA 92707

(714) 979-4212

[info@thechandlercompany.com](mailto:info@thechandlercompany.com)

[www.thechandlercompany.com](http://www.thechandlercompany.com)