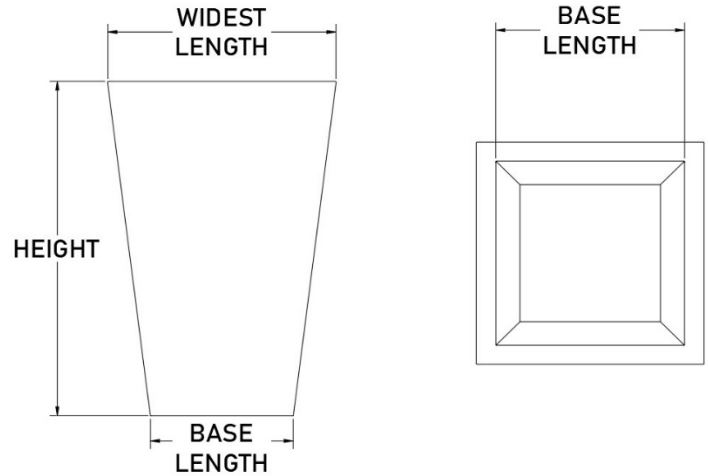


TAPERED *Square Planter*



Product Code	Widest Length	Opening Length	Height	Base Length	Weight (lbs.)
TAS1812	18	15	12	12	9.14
TAS1818	18	15	18	12	11.54
TAS1824	18	15	24	12	14.84
TAS1830	18	15	30	12	17.45
TAS1836	18	15	36	12	24.48
TAS2412	24	21	12	16	13.43
TAS2418	24	21	18	16	16.77
TAS2424	24	21	24	16	19.9
TAS2430	24	21	30	16	26.9
TAS2436	24	21	36	16	31.36
TAS3024	30	27	24	20	23.03
TAS3030	30	27	30	20	32.01
TAS3036	30	27	36	20	40.36
TAS3042	30	27	42	20	47.52
TAS3630	36	33	30	24	39.93
TAS3636	36	33	36	24	48.33
TAS3642	36	33	42	24	57.04
TAS4230	42	39	30	28	52.13
TAS4236	42	39	36	28	61.73
TAS4242	42	39	42	28	65.92

TAPERED *Square Planter*



Product Code	Widest Length	Opening Length	Height	Base Length	Weight (lbs.)
TAS4248	42	39	48	28	74.09
TAS4842	48	45	42	32	79.72
TAS5436	54	51	36	36	76.49
TAS5448	54	51	48	36	95.39
TAS6242	62	59	42	41	127.51
TAS6248	62	59	48	41	124.3
TAS6665	66	63	65	44	152.64

Can't find a size? Contact Us!

The Chandler Company

2621 S. Birch St.

Santa Ana, CA 92707

(714) 979-4212

info@thechandlercompany.com

www.thechandlercompany.com